

ONIS BLOCK BLEED & BLIND

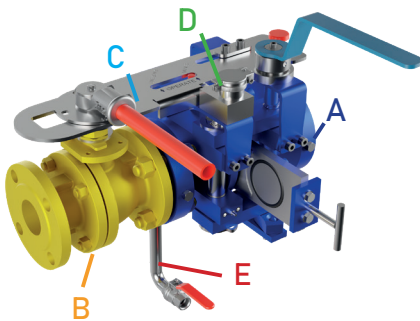
Innovative & compact solution for positive isolation.



NO MORE SPECTACLE BLINDS, JUST ONE DEVICE.



Onis Block Bleed and Blind products provide an extra layer of safety and security to pipe blinding operation by eliminating most of human risk factors. The isolation valve and blind are interlocked, so that the order-of-operations for blinding cannot be unsafely taken out of sequence.



Single Block Bleed & Blind - S3B

Upstream valve + Onis Line Blind

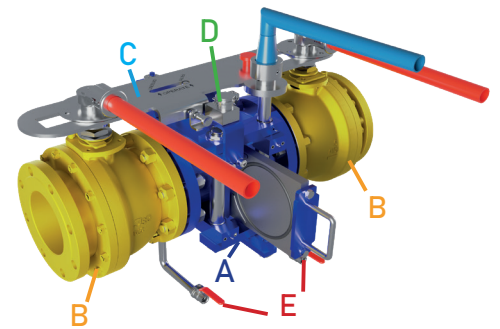
A. Onis Line Blind

B. Valve(s)

C. Interlock

D. Safety lock

E. Drain ports



Double Block Bleed & Blind - D3B

Upstream & downstream valves + Onis Line Blind

WHY CHOOSE AN S3B OR D3B FOR YOUR BLINDING OPERATION?

- ✓ Perform all steps of a positive isolation operation with a single device.
- ✓ Enhanced efficiency: a single operator can perform the entire operation in a few seconds, with no tools and no need to relocate.
- ✓ Eliminate any risk of incorrect operation, such as opening under pressure.
- ✓ Minimize fugitive emissions, dead volumes and reprocessing cost.



Demonstration video



REDUCE DOWNTIME



INCREASE SAFETY



NO TOOLS

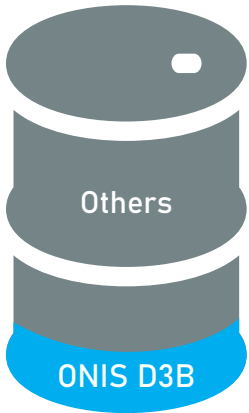


MINIMIZE EMISSIONS



IMPROVE PROFITABILITY

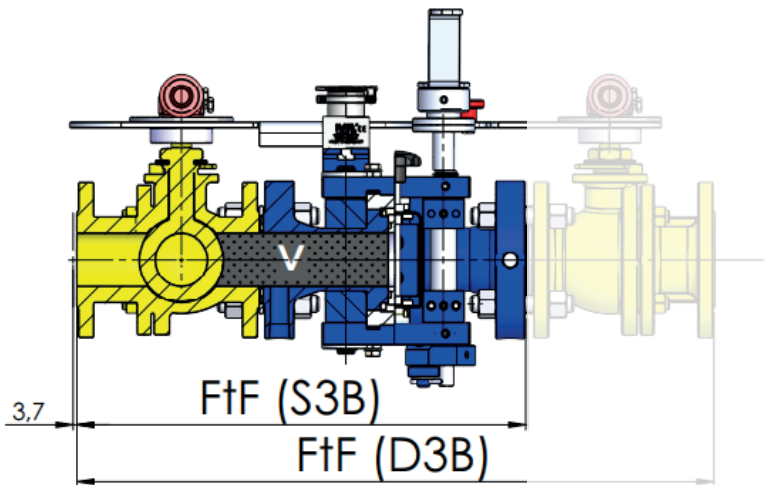
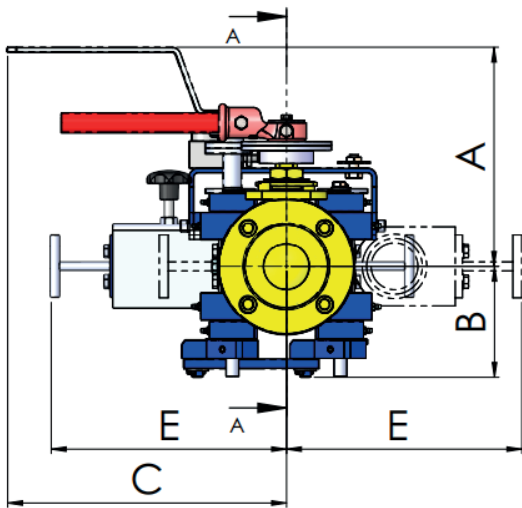
REDUCE THE COST AND ENVIRONMENTAL IMPACT OF YOUR BLINDING OPERATIONS.



MAXIMIZE YOUR PROFITABILITY

- ➡ Speed up your blinding operations and increase your production time.
- ➡ Reduce drain reprocessing costs thanks to minimal volume per design (see diagram below).
- ➡ Limit fugitive emissions thanks to fast, minimum flange spreading during the operation.

TECHNICAL SPECIFICATIONS



SERVICE TEMPERATURE RANGE -4°F: 392°F [-20: 200°C]	
STANDARD MATERIALS	
BODIES	CARBON / STAINLESS STEEL*
SLIDE GATE & TRIM	316*
BALL SEATS	TFM1600*
O-RING	FKM*

*other on demand



Choice of valve types and brands on request

CONTACT US

RATING #150										
NPS	FTF (mm)		A (mm)	B (mm)	C (mm)	E (mm)	Drain volume (liter)		WEIGHT (KG)	
	S3B	D3B	BOTH	BOTH	BOTH	BOTH	S3B	D3B	S3B	D3B
1"		440	146	91	210	146		0.06 L		20
2"	438	620	244	124	320	274	0.17 L	0.35 L	52	64
3"	497	704	272	145	427	269	0.42 L	0.85 L	83	106
4"	502	735	301	157	499	339	0.70 L	1.40 L	105	145
6"	591	862	421	204	749	411	1.65 L	3.30 L	185	261
> 8"	ON DEMAND									
RATING #300										
1"		516	146	91	210	146		0.07 L		23
2"	476	696	244	124	320	278	0.20 L	0.40 L	66	82
3"	589	876	272	145	427	287	0.50 L	1.00 L	99	130
4"	611	920	301	157	499	331	0.85 L	1.70 L	134	190
6"	727	1134	421	204	749	431	2.25 L	4.50 L	185	366
> 8"	ON DEMAND									